



Company Name:

TARRANT COUNTY
PURCHASING DEPARTMENT

MELISSA LEE, C.P.M., A.P.P.
PURCHASING AGENT

CHRIS LAX, CPSM, CPSD, CPCP
ASSISTANT PURCHASING AGENT

VOLUME 2 – TECHNICAL SPECIFICATIONS

RFB NO. 2023-058

**PROJECT MANUAL
FOR
ELECTIONS MERCANTILE LEASE SPACE
FURNITURE**

3333 Quorum Drive, Suite 280
Fort Worth, TX 76137

**BIDS DUE JANUARY 26, 2023
2:00 P.M.**

Technical Specifications Prepared by

Hahnfeld Hoffer Stanford
200 Bailey Avenue, Suite 200
Fort Worth, TX 76107

RFB NO. 2023-058

S:\2019\19036-02-TC Elections Dgr\3333 Quorum Dr-11800 Working\02 Interior Design\19036-02_TCE_R00_SSS.rvt
7/27/2022 3:16:20 PM

- ELECTRICAL SYMBOLS LEGEND
- WALL-MOUNTED DUPLEX ELECTRICAL OUTLET, 120 VOLT (SUBSCRIPT INDICATES MOUNTING HEIGHT A.F.F. - 18" UNLESS HEIGHT DIMENSION IS INDICATED).
 - WALL-MOUNTED DUPLEX ELECTRICAL OUTLET ON SEPARATE CIRCUIT (SUBSCRIPT INDICATES MOUNTING HEIGHT A.F.F. - 18" UNLESS HEIGHT DIMENSION IS INDICATED).
 - WALL-MOUNTED QUADRAPLEX ELECTRICAL OUTLET, 120 VOLT (SUBSCRIPT INDICATES MOUNTING HEIGHT A.F.F. - 18" UNLESS HEIGHT DIMENSION IS INDICATED).
 - WALL-MOUNTED VOICE/DATA OUTLET (SUBSCRIPT INDICATES MOUNTING HEIGHT A.F.F. - 18" UNLESS HEIGHT DIMENSION IS INDICATED). CONTRACTOR TO PROVIDE CONDUIT, RING AND STRING - COORDINATE WITH COMMUNICATIONS VENDOR.
 - FLUSH FLOOR OUTLET WITH DUPLEX ELECTRICAL OUTLET, 120 VOLT AND SLOT FOR VOICE/DATA COMMUNICATIONS - CONTRACTOR TO PROVIDE CONDUIT, RING AND STRING FOR COMMUNICATIONS.
 - FURNITURE FEED MOUNTED IN HALL FOR ELECTRICAL AND VOICE/DATA COMMUNICATIONS - (SUBSCRIPT INDICATES NUMBER OF STATIONS SERVED).
 - FLUSH FLOOR POKE-THRU DEVICE FURNITURE FEED FOR ELECTRICAL AND VOICE/DATA COMMUNICATIONS - (SUBSCRIPT INDICATES NUMBER OF STATIONS SERVED).
 - WALL-MOUNTED CABLE TV OUTLET (SUBSCRIPT INDICATES MOUNTING HEIGHT A.F.F. - 90" UNLESS HEIGHT DIMENSION IS INDICATED). CONTRACTOR TO PROVIDE CONDUIT, RING AND STRING - COORDINATE WITH COMMUNICATIONS VENDOR.
 - POWER POLES TO ACCOMMODATE BOTH POWER AND DATA

GENERAL NOTES

REVISIONS	DENOTED BY
ISSUE FURN PACKAGE	12.6.22

Hahnfeld Hoffer Stanford
architects / planners / interiors
200 Bailey Ave., Suite 200
Fort Worth, Texas 76107
817.921.5928
817.302.0692 fax

BAIRD, HAMPTON & BROWN
MECH / ELEC / PLBG ENGINEER
6300 RIDGELA PLACE, SUITE 700
FORT WORTH, TX 76116
817.338.1277

IDIBRI
AUDIO / VISUAL
15508 WRIGHT BROTHERS DRIVE
ADRIAN, TX 75001
972.239.1505

PONCE-FUOSS ENGINEERING
STRUCTURAL
3333 LEE PARKWAY
DALLAS, TX 75219
469.310.2650

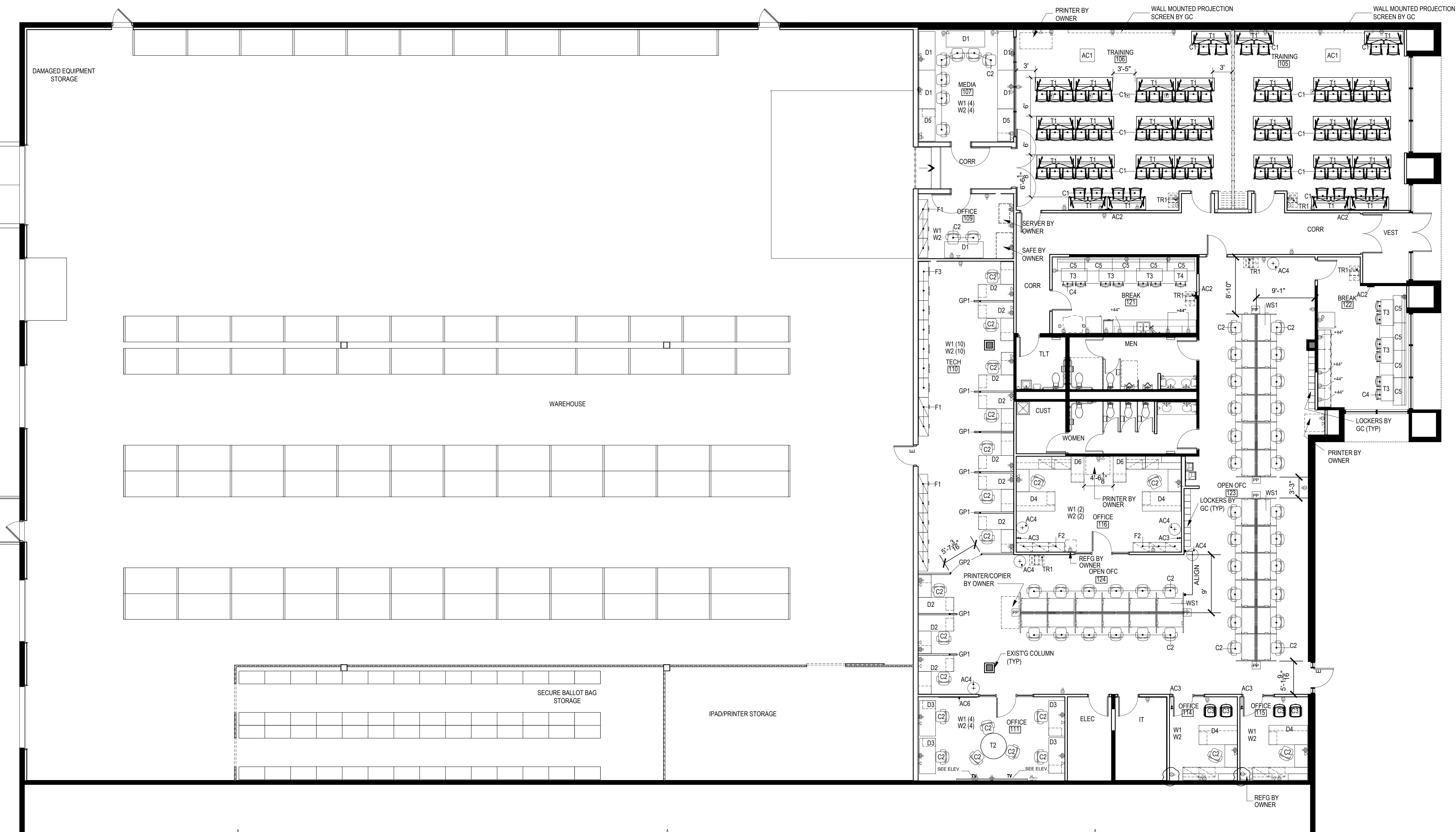


TARRANT COUNTY
**ELECTIONS MERCANTILE LEASE SPACE
FINISH OUT**
3333 Quorum Drive, Suite 280, Fort Worth, TX 76137

PROJECT #: 19036-02 MANAGER: TJB
ISSUED FOR: CONSTRUCTION DRAFTER: HBS
ISSUE DATE: 18 FEBRUARY 2022 CHECKED: ELH

FF&E AND POWER/TELE/DATA (FOR REFERENCE ONLY)

SHEET
A9-1



1 FF&E AND POWER/TELE/DATA LAYOUT (FOR REFERENCE ONLY)
1/8" = 1'-0"

FURNITURE BID PACKAGE

PG	INDEX	DESCRIPTION	QUANTITY*	QTY Breakdown
2	A9.1	FURNITURE, FIXTURE & EQUIPMENT PLAN – FIRST FLOOR		
3		CASEGOODS AND SEATING		
4	D1	DESK SHELL FOR TWO PEOPLE	6	Media 107(4), Office 109 (2)
5	D2	DESK 'L' SHAPE WITH RETURN AND TWO PEDESTALS	10	Tech 110 (10)
6	D3	DESK SINGLE PEDESTAL	4	Ofc 111 (4)
7	D4	DESK 'U' SHAPE WITH OVERHEAD/TWO PEDESTALS	4	Ofc 114, 115, 116 (2)
8	D5	DESK WITH SINGLE PED LOCKABLE	2	Media 107 (2)
9	D6	DESK WITH SINGLE PED LOCKABLE -	2	Office 116 (2)
10	C1	TRAINING CHAIR NESTING	77	Training 105 (35), 106 (42)
11	C2	TASK CHAIR	66	Ofc 107 (7), 109 (2), 110 (10), 111 (7), 114, 115, 116(2), 123 (24), and 124 (12)
12	C3	SIDE CHAIR	4	Office 114(2), Office 115(2)
13	C4	BREAK ROOM CHAIR STACKING	13	Break 121(7) and 122(6)
14	C5	BANQUETTE BENCH	9	Break 121 (5), and 122 (4)
15		FILES AND CABINETS		
16	F1	4-DRAWER FILE CABINET	10	Ofc 109(3) and Tech 110(7)
17	F2	2-DRAWER FILE CABINET	6	Office 116 (6)
18	F3	STORAGE CABINET LOCKING	7	Tech 110 (7)
19		TABLES		
20	T1	TRAINING TABLE	28	Training 105(13) and 106(15)
21	T2	CONFERENCE TABLE 48" DIA	1	Ofc 111
22	T3	BREAK ROOM TABLE	6	Break 121(3) and 122(3)
23	T4	BREAK ROOM TABLE	1	Break 121
24		MISCELLANEOUS		
25	AC1	LECTERN	2	Training 105 & 106
26	AC2	ANALOG CLOCK	4	Training 105 & 106, Break 121 & 122
27	AC3	COAT HOOK	2	Ofc 114, and 115
28	AC4	COAT TREE	6	Ofc 116(2), Open Ofc 123(2), and 124(2)
29	AC5	MARKERBOARD	1	Ofc 111 (1)
30	TR1	TRASH AND RECYCLING RECEPTACLE	6	Training 105 & 106, Break 121 & 122, Open Ofc 123 & 124
31	W1	WASTE RECEPTACLE	23	Media 107(4), Ofc 109, Tech 110(10), Ofc 111 (4), Ofc 114, Ofc 115, Ofc 116(2)
32	W2	PAPER RECYCLING RECEPTACLE	23	Media 107(4), Ofc 109, Tech 110(10), Ofc 111 (4), Ofc 114, Ofc 115, Ofc 116(2)
33		WORKSTATIONS		
34	GP1	GALLERY PANEL 72"W	7	Tech 110 (7)
35	GP2	GALLERY PANEL 60"W	2	Tech 110 (2)
36	WS1	WORKSTATION BENCHING	3	Open Ofc 123 (2) & 124

**TARRANT COUNTY
ELECTIONS MERCANTILE
LEASE SPACE
FINISH OUT**

3333 Quorum Drive, Suite 280
Fort Worth, TX 76137

HAHNFELD HOFFER STANFORD
PROJECT NO: 19036-02
DATE ISSUED: 12.6.22

CASEGOODS AND SEATING

***BIDDER TO VERIFY ALL QUANTITIES NOTED ON SPECIFICATIONS WITH CODED FURNITURE PLANS**

HAHNFELD HOFFER STANFORD
PROJECT NO: 19036-02
DATE ISSUED: 12.6.22

D1 – DESK SHELL FOR 2 PEOPLE MEDIA 107(5), OFFICE 109 (1)

Item #	Manufacturer	Qty	Description
D1	National	6	Waveworks Desk Shell
	COMPONENTS		
	WW3528EPL	2	End Panel- Laminate
	WW7227MPL	1	Modesty Panel
	WWN3072WSSDL	1	Worksurface
	NAC0248SUR	1	Undersurface support rail, Black
			No Grommet, No wire management
			Dimensions: 30"D x 72"W x 30H
			Edge Profile : Softened PVC (V)
			Woodgrain Laminate Top (PB) and Woodgrain Laminate shell (PB).



**Woodgrain Laminate
Portobello (PB)**

HAHNFELD HOFFER STANFORD
PROJECT NO: 19036-02
DATE ISSUED: 12.6.22

D2 – DESK WITH RETURN AND 2 PEDESTALS

TECH 110 (10)

Item #	Manufacturer	Qty	Description
D2	National	10	Waveworks Desk with Return and 2 pedestals
	COMPONENTS		
	WW3066DLFB		Waveworks, 30Dx66W Desk, Breakfront, BBF, HPL
			Rim Profile : Softened PVC (V)
			Pull: Nantucket, Cinder; Grommet
			Locking pedestal
			Plastic Laminate: Portobello (PB)
	WW2442RREFL		Waveworks 24Dx42W, Return w/File/File Ped
			Rim Profile : Softened PVC (V)
			Pull: Nantucket, Cinder; Grommet
			Locking pedestal
			Plastic Laminate: Portobello (PB)
			Verify right or left return per plan



**Pull – Nantucket
Cinder**



Edge Profile PVC



**Woodgrain Laminate
Portobello (PB)**

HAHNFELD HOFFER STANFORD
PROJECT NO: 19036-02
DATE ISSUED: 12.6.22

D3 – DESK OFFICE 111(4)

Item #	Manufacturer	Qty	Description
D3	National	4	Waveworks Desk Single Pedestal
COMPONENTS			
	WW3066DRFBL1		Waveworks, 30Dx66W Desk, Right, Breakfront, BBF, HPL
			Rim Profile : Softened PVC (V)
			Pull: Nantucket, Cinder; Grommet Left
			Locking pedestal
			Plastic Laminate: Portobello (PB)



**Pull – Nantucket
Cinder**



Edge Profile PVC



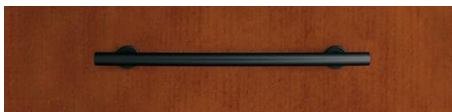
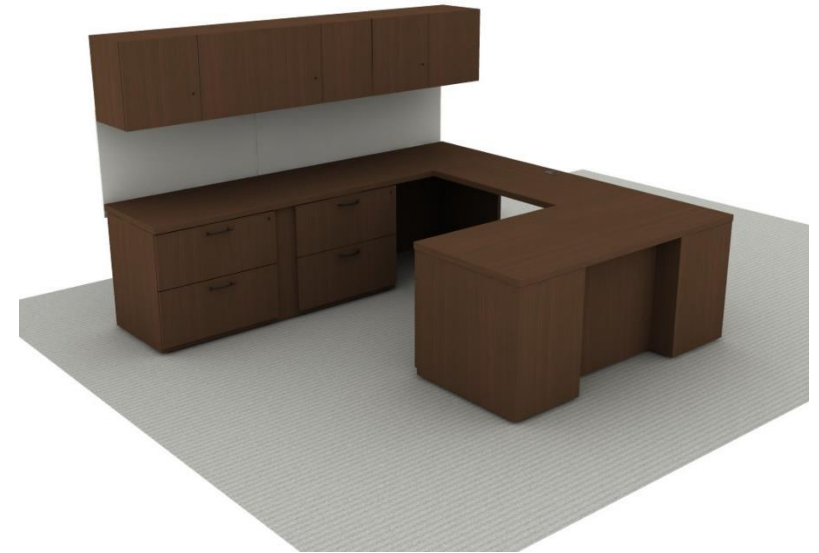
**Woodgrain Laminate
Portobello (PB)**

HAHNFELD HOFFER STANFORD
PROJECT NO: 19036-02
DATE ISSUED: 12.6.22

D4 – DESK ‘U’ SHAPE WITH OVERHEAD/TWO PEDESTALS OFFICE 114, 115, AND 116(2)

VERIFY HAND OF DESK PER PLAN

Item #	Manufacturer	Qty	Description
D4	National	4	U Shaped Desk with Wall Mounted Overhead
	COMPONENTS		
	NAC4225WPTBA	1	Tackboard Grade A 42x25
	NAC6025WPTBA	1	Tackboard Grade A 60x25
	WW0628CPFPL	1	Waveworks 6x28 Filler Panel Laminate
	WW2328EPL	1	Waveworks 23x28 End Panel Laminate
	WW2330LFM2L	2	Waveworks, 23x30 Lateral File Locking
	WW2428STL	1	Waveworks, 24x28 T Support Laminate
	WW3018SOHML	1	Waveworks, 30x18 Overhead Doors Wall mounted Laminate
	WW3618SOHML	2	Waveworks, 36x18 Overhead Doors, Wall mounted, Laminate
	WW6627MPL	1	Waveworks, 66x27 Modesty Panel Laminate
	WWN2436WSSDL	1	Waveworks, 24x36 Worksurface Laminate
	WWN2442 WSSDL	1	Waveworks, 24x42 Worksurface Laminate
	WWN2466WSSDL	1	Waveworks, 24x66 Worksurface Laminate
	WWN3066DRFBL1	1	Waveworks, 30x66 Worksurface Laminate
			Laminate: Portobello PB Rim Profile: Softened VPB Portobello Pull: Summit, Cinder Tackboard: Repetition White



Pull – Nantucket
Cinder



Edge Profile PVC



Woodgrain Laminate
Portobello (PB)

HAHNFELD HOFFER STANFORD
PROJECT NO: 19036-02
DATE ISSUED: 12.6.22

D5 – DESK MEDIA 107 (2)

Item #	Manufacturer	Qty	Description
D5	National	2	Waveworks Desk Single Pedestal
	COMPONENTS		
	WW3060DRFBL1		Waveworks, 30Dx60W Desk, Right, Breakfront, BBF, HPL
			Rim Profile : Softened PVC (V)
			Pull: Nantucket, Cinder; Grommet Left
			Locking pedestal
			Plastic Laminate: Portobello (PB)
			Verify on Plan Left or Right side pedestal



**Pull – Nantucket
Cinder**



Edge Profile PVC



**Woodgrain Laminate
Portobello (PB)**

HAHNFELD HOFFER STANFORD
PROJECT NO: 19036-02
DATE ISSUED: 12.6.22

D6 – DESK OFFICE 116(2)

Item #	Manufacturer	Qty	Description
D6	National	2	Extension Worksurface
	COMPONENTS		
	WW2315PUFFL	1	Waveworks, 23x15 File/File Ped Lock Laminate
	WW2328EPL	1	Waveworks, 23x28 End Panel Laminate
	WW4827MPL	1	Waveworks, 48x17 Modesty Laminate
	WWN2448WSSDL	1	Waveworks, 24x48 Worksurface Laminate
			Laminate: Portobello PB Rim Profile: Softened VPB Portobello Pull: Summit, Cinder
			This to be attached to D4 in Room 116
			Verify hand per plan



**Pull – Nantucket
Cinder**



Edge Profile PVC



**Woodgrain Laminate
Portobello (PB)**

HAHNFELD HOFFER STANFORD
PROJECT NO: 19036-02
DATE ISSUED: 12.6.22

C1 – TRAINING CHAIR NESTING TRAINING 105(35) & 106(42)

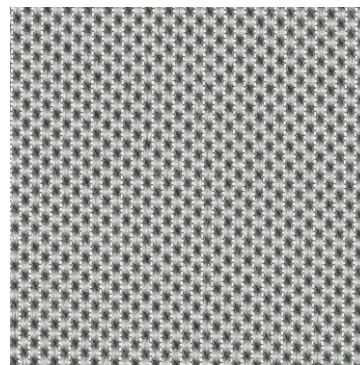
Item #	Manufacturer	Qty	Description
C1	Hon	77	Perpetual Upholstered Back Nesting Chair
			Model Number: HPN1.A.UU.CU10.T
			Flex Motion, Casters
			Black Frame and Black Fabric
			Dimensions: 26"W x 26"D x 36H



C2 – TASK CHAIR

**OFFICE 107(7), 109 (2), 110(10), 111(7), 114, 115, 116(2),
123(24), AND 124(12)**

Item #	Manufacturer	Qty	Description
C2	Sit on It	66	Focus 2
			1123 BK1 MB Y FC1 YCC01 AR4 BT1 BC1 CH1 CS5
			Midback Mesh with Adj Lumbar – Enhanced Synchro – Black Frame - Height Adj Arms – 5 star Nylon Base – Standard Cylinder – Carpet Casters
			Mesh Back – Fog MC7
			Textile – Grade 2 Element Charcoal Vinyl
			Shell - Black
			Ship Knocked Down – Assembly Required
			Dimensions: 28”W x 27”D x 35.25-39H



**Mesh Back
Fog**

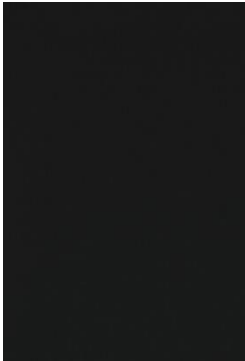


**Upholstered Seat
Charcoal Vinyl**

HAHNFELD HOFFER STANFORD
PROJECT NO: 19036-02
DATE ISSUED: 12.6.22

C3 – SIDE CHAIR OFFICE 114(2), AND 115(2)

Item #	Manufacturer	Qty	Description
C3	National	4	Tag Square Back w/arms Upholstered Back
			N60CC 2 501 BK Glides
			Square Back – Straight leg – Black arm caps
			Arm Color – Black (BK)
	COM		Grade D Textile – DesignTex Hashtag 3662-103
	Yds Req'd per chair	.90	Color: Oak 54" wide
			Frame – Black (BK)
			Standard Glides
			Dimensions: 23.5W x 21D x 31H



**Arms and Frame
- Black**



**Upholstered Seat
DesignTex Hashtag
Oak**

HAHNFELD HOFFER STANFORD
PROJECT NO: 19036-02
DATE ISSUED: 12.6.22

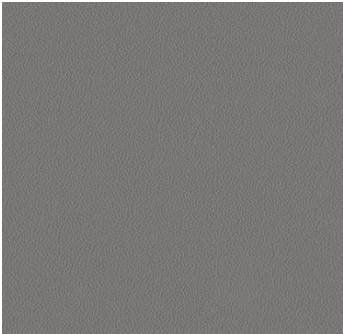
C4 – BREAK ROOM CHAIR

BREAK ROOM 121(7), 122(6)

Item #	Manufacturer	Qty	Description
C4	Sit on It	13	Sprout Multipurpose Chair
			1181 FT2 FC15 PS PB ARO CGR
			Plastic shell stacking armless sled base chair
			Frame Finish: Chrome
			Shell Finish: Slate
			Clear Glides
			Dimensions: 21.25"W x 22"D x 32H
			Fully assembled in carton



Chrome Frame



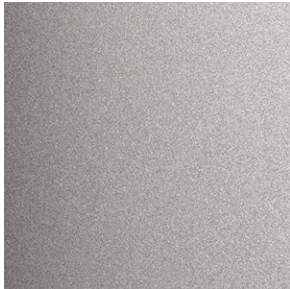
Shell Slate

HAHNFELD HOFFER STANFORD
 PROJECT NO: 19036-02
 DATE ISSUED: 12.6.22

C5 – BREAK ROOM BENCH

BREAK ROOM 121(5), 122(4)

Item #	Manufacturer	Qty	Description
C5	Kimball	9	Joelle Round Back Lounge
			K92251R
			Upholster banquette 2 seater
			Leg Finish: 501 Platinum Metallic
			Upholstery Seat: Endurance Collection, Dolce, Color: Mushroom 11918
			Upholstery Back: Mix Collection, Phrase, 23060 Soapstone, Bleach Cleanable
			Dimensions: 51"W x 24"D x 29H
			Seat Height: 18.5"
			No Power
			Gang sections together K60GB



**Leg – Platinum
Metallic**



**Upholstered Seat
Mushroom**



**Upholstered Back
Soapstone**

HAHNFELD HOFFER STANFORD
PROJECT NO: 19036-02
DATE ISSUED: 12.6.22

FILES AND CABINETS

HAHNFELD HOFFER STANFORD
PROJECT NO: 19036-02
DATE ISSUED: 12.1.22

F1 – 4-DRAWER FILE CABINET OFFICE 109(3) AND TECH 110(7)

Item #	Manufacturer	Qty	Description
F1	Hon	10	Brigade 800 Series Metal File Cabinet
			H884-L-P7D
			4 drawer lateral file locking
			Finish: Painted P7D Brownstone
			Pull Full Length radius designer style
			Dimensions: 36"W x 18"D x 52.5H



**Painted Finish
Brownstone P7D**

HAHNFELD HOFFER STANFORD
PROJECT NO: 19036-02
DATE ISSUED: 12.6.22

F2 – 2-DRAWER FILE CABINET OFFICE 116(6)

Item #	Manufacturer	Qty	Description
F2	Hon	6	Brigade 800 Series Metal File Cabinet
			H872-L-P7D
			2 drawer lateral file locking
			Finish: Painted P7D Brownstone
			Pull Full Length radius designer style
			Dimensions: 30"W x 18"D x 28H



**Painted Finish
Brownstone P7D**

HAHNFELD HOFFER STANFORD
PROJECT NO: 19036-02
DATE ISSUED: 12.6.22

F3 – STORAGE CABINET

TECH 110(7)

Item #	Manufacturer	Qty	Description
F3	Hon	7	Brigade Metal Storage Cabinet
			HSC1872-L-P7D
			Locking
			Finish: Painted P7D Brownstone
			Pull Full Length radius designer style
			5 adjustable shelves
			Dimensions: 36"W x 18"D x 72H
			Ship fully assembled
			All Shelves are adjustable in 2" increments
			Leveling glides
			One locking handle one fixed handle



**Painted Finish
Brownstone P7D**

HAHNFELD HOFFER STANFORD
PROJECT NO: 19036-02
DATE ISSUED: 12.6.22

TABLES

HAHNFELD HOFFER STANFORD
PROJECT NO: 19036-02
DATE ISSUED: 12.6.22

T1 – TRAINING TABLE

TRAINING 105(13) & 106(15)

Item #	Manufacturer	Qty	Description
T1	National	28	Waveworks flip and nesting table
			WW2472RTFML
			Laminate top metal legs
			Dimensions: 24"D x 72"W x 29.5H
			Laminate PB Portobello
			PVC Softened Rim PB Portobello
			Leg Finish 501 Platinum Metallic
			Modesty: WW6411MPA9, ¼" thick resin with a white printed film pattern



**Leg – Platinum
Metallic**



**Woodgrain Laminate
Portobello (PB)**

HAHNFELD HOFFER STANFORD
PROJECT NO: 19036-02
DATE ISSUED: 12.6.22

T2 – CONFERENCE TABLE 48” DIA OFFICE 111

Item #	Manufacturer	Qty	Description
T2	National	1	Waveworks Conference Table
			Top: WWN48RDL
			Base: BP-18
			Dimensions: 48 Dia x 30H
			Edge Profile : Softened PVC (V)
			Woodgrain Laminate Top - Portobello (PB)



Softened Edge



**Laminate Top
Portobello PB**

HAHNFELD HOFFER STANFORD
PROJECT NO: 19036-02
DATE ISSUED: 12.6.22

T3 – BREAK ROOM TABLE

BREAK 121(3), 122(3)

Item #	Manufacturer	Qty	Description
T3	National	6	Waveworks Break Table
			Top: WWN2448WSSDL
			Base: CBV2728DRNBP
			Dimensions: 48W x 24D x 30H
			Edge Profile : Softened PVC (V)
			Woodgrain Laminate Top - Portobello (PB)
			Base: Metallic Platinum



**Leg Finish
Platinum Metallic**



Softened Edge



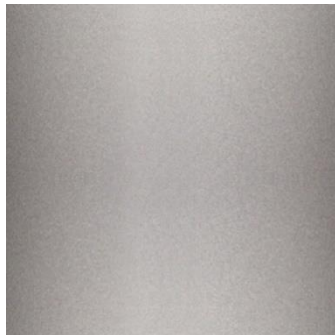
**Laminate Top
Portobello PB**

HAHNFELD HOFFER STANFORD
PROJECT NO: 19036-02
DATE ISSUED: 12.6.22

T3 – BREAK ROOM TABLE

BREAK 121(1)

Item #	Manufacturer	Qty	Description
T3	National	1	Waveworks Break Table
			Top: WWN2430WSSDL
			Base: CBV2728DRNBP
			Dimensions: 30W x 30D x 30H
			Edge Profile : Softened PVC (V)
			Woodgrain Laminate Top - Portobello (PB)
			Base: Metallic Platinum



Leg Finish
Platinum Metallic



Softened Edge



Laminate Top
Portobello PB

HAHNFELD HOFFER STANFORD
PROJECT NO: 19036-02
DATE ISSUED: 12.6.22

MISCELLANEOUS

HAHNFELD HOFFER STANFORD
PROJECT NO: 19036-02
DATE ISSUED: 12.6.22

AC1 – LECTERN TRAINING 105 & 106

Item #	Manufacturer	Qty	Description
AC1	National	2	Basic Lectern
			10N2746LCL KRBPB
			Dimensions: 24D x 27W x 46H
			Woodgrain Laminate - Portobello (PB)



**Laminate Top
Portobello PB**

HAHNFELD HOFFER STANFORD
PROJECT NO: 19036-02
DATE ISSUED: 12.6.22

AC2 – ANALOG CLOCK

TRAINING 105 & 106, BREAK 121 & 122

Item #	Manufacturer	Qty	Description
AC2	Peter Pepper Products	4	Analog Clock Flush with acrylic cover
			820 Clock
			Dimensions: 13 7/8 Dia
			Face 36
			Bezel finish: Aluminum Metallic



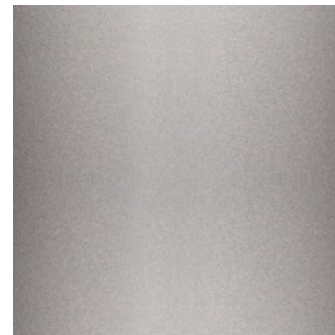
**Bezel Finish
Aluminum Metallic**

HAHNFELD HOFFER STANFORD
PROJECT NO: 19036-02
DATE ISSUED: 12.6.22

AC3 – COAT HOOK

OFFICE 114, AND OFFICE 115

Item #	Manufacturer	Qty	Description
AC3	Peter Pepper Products	2	Coat Hook
			Model 2011
			Dimensions: 3/4W x 2 1/2H x 2D
			Finish Polished Aluminum Natural Anodized
			Mount coat hook to back of door



HAHNFELD HOFFER STANFORD
 PROJECT NO: 19036-02
 DATE ISSUED: 12.6.22

AC4 – COAT TREE

OFFICE 116 (2), OPEN OFC 123 (2), OPEN OFC 124 (2)

Item #	Manufacturer	Qty	Description
AC4	Global Industries	6	Interior Coat Tree
			Item No: WB695310
			Finish : Black
			Dimensions: 22"W x 22"L x 69.5H
			Made of durable powder coated steel for long lasting use. Includes 4 double hooks that securely hold up to 8 garments. Hooks have rounded tips to prevent damage to clothing.



HAHNFELD HOFFER STANFORD
 PROJECT NO: 19036-02
 DATE ISSUED: 12.6.22

AC5 – MARKERBOARD OFFICE 111 (1)

Item #	Manufacturer	Qty	Description
AC5	Peter Pepper Prod	1	MiniMint Writing Surface
			Item No: MMLMB60481
			Frame : Natural Anodized Aluminum
			Dimensions: 60"W x 48"H
			White porcelain enamel writing surface fused to 28 gauge steel. Writing surface accepts magnetic accessories.
			Included Full-length aluminum pen rail (4) dry-erase marking pens, and (1) eraser



TR1 – TRASH AND RECYCLE RECEPTACLE TRAINING 105 & 106, BREAK 121 & 122, OPEN OFC 123 & 124

Item #	Manufacturer	Qty	Description
TR1	Magnuson Group	6	Valuta 20 gallon units
	COMPONENTS		
	VA 1809L	1	33.75H x 9W x 18D; 20 gal unit with internal rigid liner and integrated bag arm. Waste
	VA 1809L	1	33.75H x 9W x 18D; 20 gal unit with internal rigid liner and integrated bag arm. Cans/plastic/glass
	VA 1809L	1	33.75H x 9W x 18D; 20 gal unit with internal rigid liner and integrated bag arm. Paper
			All 3 units ganged together for Trash/Recycle Container.
			Finish : Top : Anodized Silver RAL-9006, Body: Bronze Metallic RAL-6006
			Place label on 'FRONT'



"FOR REFERENCE ONLY, REFER TO SPECIFICATION FOR ALL COLOR FINISHES"



**Anodized Silver
RAL 9006**



**Bronze Metallic
RAL 6006**

HAHNFELD HOFFER STANFORD
PROJECT NO: 19036-02
DATE ISSUED: 12.6.22

W1 – WASTE RECEPTACLE

**MEDIA 107(4), OFFICE 109, TECH 110(10), OFFICE 111(4), OFFICE 114,
OFFICE 115, and OFFICE 116(2)**

Item #	Manufacturer	Qty	Description
W1	Global Products	23	7 Gallon Rubbermaid Plastic Wastebasket
			WC603362BK
			Black



**W2 – PAPER RECYCLING RECEPTACLE
 MEDIA 107(4), OFFICE 109, TECH 110(10), OFFICE 111(4), OFFICE 114,
 OFFICE 115, and OFFICE 116(2)**

Item #	Manufacturer	Qty	Description
W2	Global Products	23	Rubbermaid Deskside Recycling Wastebasket, 7 Gallon, Blue
			WC240934
			Blue



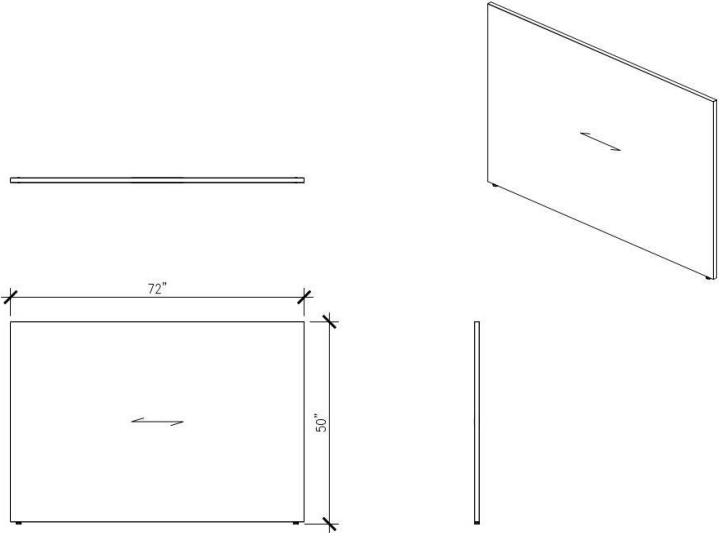
WORKSTATIONS

HAHNFELD HOFFER STANFORD
PROJECT NO: 19036-02
DATE ISSUED: 12.6.22

GP1 – GALLERY PANEL 72”W

TECH 110 (7)

Item #	Manufacturer	Qty	Description
GP1	Haworth	7	Beyond Gallery Panel
			50”H x 72”W
			Product : SY ?G-5069-DPZNNNN, ZZFS, NOHND Part No: TS00-4H0E
			Connection along rear edge pre-drilled for non-handed alignment in LH, RH or Center seam configuration
			This Gallery Panel requires additional support as panel attachment brackets alone do not provide enough stability. Separately order screw hardware kit TS00-2BDD for attachment to floor supported casegood and/or standard worksurface to wall brackets for attachment to worksurface or fixed height table.
			Laminate finish: Formica Black Birchply 8552-NG
			No power



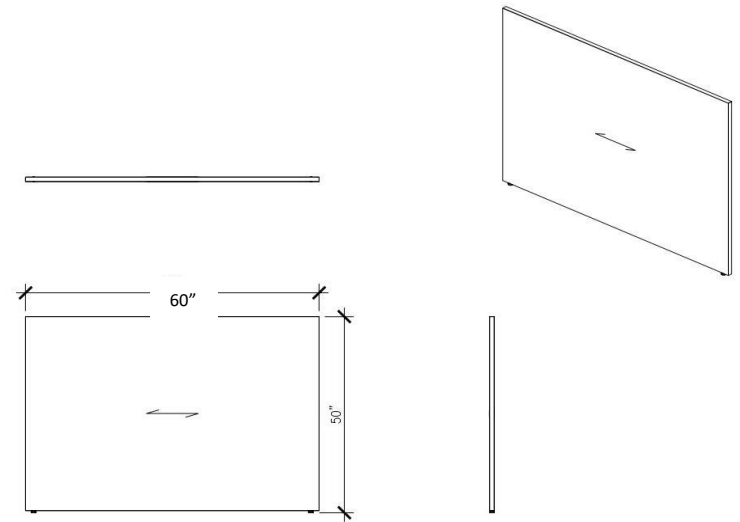
**Woodgrain Laminate
Black Birchply**

HAHNFELD HOFFER STANFORD
PROJECT NO: 19036-02
DATE ISSUED: 12.6.22

GP2 – GALLERY PANEL 60”W

TECH 110 (2)

Item #	Manufacturer	Qty	Description
GP2	Haworth	2	Beyond Gallery Panel
			50”H x 60”W
			Product : SY ?G-5069-DPZNNNN, ZZFS, NOHND Part No: TS00-4HOE
			Connection along rear edge pre-drilled for non-handed alignment in LH, RH or Center seam configuration
			This Gallery Panel requires additional support as panel attachment brackets alone do not provide enough stability. Separately order screw hardware kit TS00-2BDD for attachment to floor supported casegood and/or standard worksurface to wall brackets for attachment to worksurface or fixed height table.
			Laminate finish: Formica Black Birchply 8552-NG
			No power



**Woodgrain Laminate
Black Birchply**

HAHNFELD HOFFER STANFORD
PROJECT NO: 19036-02
DATE ISSUED: 12.6.22

WS1 – WORKSTATION BENCHING

OPEN OFC 123(2) & 124

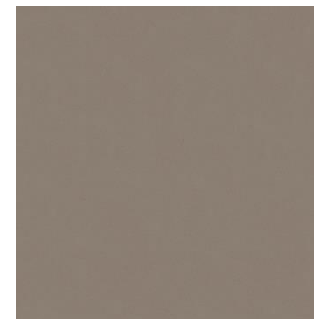
Item #	Manufacturer	Qty	Description
WK2	National	3	Alloy Benching System
	12 User Station		Fixed Height Double sided Phase 3 Center Beam
	COMPONENTS		FOR EACH UNIT (BENCH)
	Starter	1	71N4848FB2PSL 48x48x28
	Mid Base	4	71N4848FB2PML 48x48x28
	End	1	71N4848FB2PEL 48x48x28
			Worksurface Top: Laminate Portobello (PB)
			Frame: Silver (22)
		7	Provide Fixed Mid Support Panel Double Width at ends and between stations.
		6	Fixed Height Beam Mounted Screen 48"
	Power		5 Wire/3-Circuit – Verify power requirements
		2	Provide power pole – 9'-11" Ceiling Height Platinum Metallic
			Provide duplex outlet for each station with jumper cables as required.



Grade 1 Fabric
Dune Pebble (8606)



Woodgrain Laminate
Portobello (PB)



Metal Paint
Silver (22)

HAHNFELD HOFFER STANFORD
PROJECT NO: 19036-02
DATE ISSUED: 12.6.22